



AL HIJR / 2 Seat Sofa

AS PICTURED

Upholstered in Alma de Luce Cotton Velvet ref. Desert of Kenya & Frieze with metal effect ref. Brass and Footer in Walnut veneer wood with matt finish.

MATERIAL & FINISHES

Upholstery:

Version 1 – Client's own fabric.

Version 2 – Alma de Luce Soft Velvet fabric- *CLASS I*.

Version 3 – Alma de Luce Cotton Velvet- *CLASS II*.

Frieze:

Metal effect brushed with matt for gloss finish.

Footer:

Walnut or Ash solid wood.

Cushions:

Not included.

COM REQUIREMENTS FABRICS:

Body: 13m | 512"

Based on plain fabric, standard with 1.40mt | 55"

LEATHER:

Body: 20.44m² | 220 square feet

SPECIAL REQUEST

Personalization and bespoke by price adequacy.

Note: Variations in color and grain and natural patina are inherent to natural materials such as stone, wood or metal and are considered part of their natural beauty.

DIMENSIONS

W: 250cm | 98.4"

D: 110cm | 43.3"

H: 68cm | 26.8"

SH: 36cm | 14.2"

W: 71.6kg | 157.9lb

PACKAGING

Poplar plywood (set) or Cardboard Box

Box1-1.35x1.2x0.83= 1.35m³ |47.67ft³

W: 128.3Kg | 282.9lb

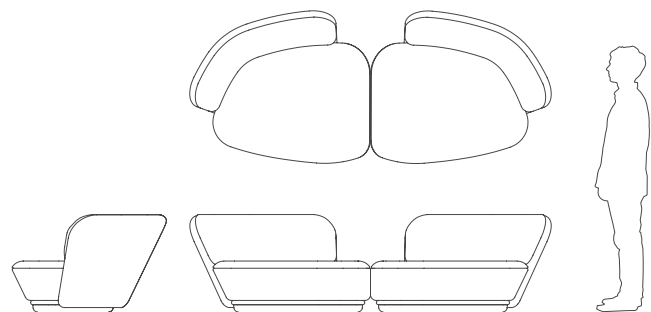
Box2-1.35x1.2x0.83= 1.35m³ |47.67ft³

W: 128.3Kg | 282.9lb

OBSERVATIONS FOR MOUNTING:

Need to be assembled.

See the indications on the instruction manual.



FABRICS - *CLASS IV- Special fabric Kvadrat / Special fabric Gabriel *CLASS III - Super Suede Deus / Leather *CLASS II - Cotton Velvet / Linear / Coco * CLASS I - Cotton Satin / Soft Velvet / Soft Suede *
*METAL EFFECT - Stainless Steel or aluminum coated with Metal effect (Brass, Copper, Rose gold, Nickel, or Sandy); *COLOR METAL - Metal or Wood coated with Soft Gold or Metal Colors.

Each piece of ALMA DE LUCE® is made by hand, in Portugal. Although every effort is made to maintain uniformity, slight variations may occur, as well as the variation size.

Av. Dr. Mário Soares, n° 1727, 4770-260 Joane, Vila Nova de Famalicão, Portugal
info@almadeluce.com | 00351 252 996 374
WWW.ALMADELUCE.COM



AL HIJR / 3 Seat Sofa

AS PICTURED

Upholstered in Alma de Luce Coco ref. Duck Egg Blue (center) and Soft Velvet ref. Mouse & Frieze with metal effect ref. Brass and Footer in Walnut veneer wood with matt finish.

MATERIAL & FINISHES

Upholstery:

Version 1 – Client's own fabric.

Version 2 – Alma de Luce Soft Velvet fabric– *CLASS I*.

Version 3 – Alma de Luce Cotton Velvet– *CLASS II*.

Frieze:

Metal effect brushed with matt for gloss finish.

Footer:

Walnut or Ash solid wood.

Cushions:

Not included.

COM REQUIREMENTS FABRICS:

Body: 24m | 945"

Based on plain fabric, standard with 1.40mt | 55"

LEATHER:

Body: 37.16m² | 400 square feet

SPECIAL REQUEST

Personalization and bespoke by price adequacy.

Note: Variations in color and grain and natural patina are inherent to natural materials such as stone, wood or metal and are considered part of their natural beauty.

DIMENSIONS

W: 340cm | 134"

D: 140cm | 55.1"

H: 68cm | 26.8"

SH: 36cm | 14.2"

W: 109kg | 240.3lb

PACKAGING

Poplar plywood (set) or Cardboard Box

Box1–1.48x1.36x0.83= 1.67m³ |58.98ft³

W: 118Kg | 260.1lb

Box2–1.12x0.97x0.83= 1.5m³ |52.97ft³

W: 87.4Kg | 192.7lb

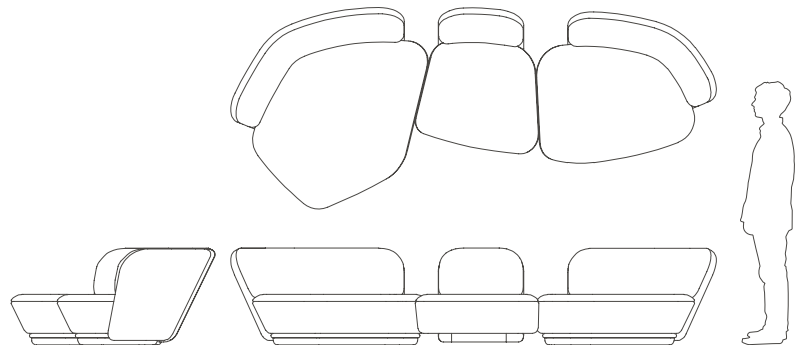
Box3–1.35x1.17x0.83= 1.31m³ |46.26ft³

W: 91.62Kg | 202lb

OBSERVATIONS FOR MOUNTING:

Need to be assembled.

See the indications on the instruction manual.



FABRICS - *CLASS IV- Special fabric Kvadrat / Special fabric Gabriel *CLASS III – Super Suede Deus / Leather *CLASS II – Cotton Velvet / Linear / Coco * CLASS I – Cotton Satin / Soft Velvet / Soft Suede *
 *METAL EFFECT – Stainless Steel or aluminum coated with Metal effect (Brass, Copper, Rose gold, Nickel, or Sandy); *COLOR METAL – Metal or Wood coated with Soft Gold or Metal Colors.

Each piece of ALMA DE LUCE® is made by hand, in Portugal. Although every effort is made to maintain uniformity, slight variations may occur, as well as the variation size.

Av. Dr. Mário Soares, n° 1727, 4770–260 Joane, Vila Nova de Famalicão, Portugal
 info@almadeluce.com | 00351 252 996 374
 WWW.ALMADELUCE.COM



AL HIJR / 5 Seat Sofa

AS PICTURED

Upholstered in Alma de Luce Soft Velvet ref. Dark Blue & Frieze with metal effect ref. Brass and Footer in Walnut veneer wood with matt finish.

MATERIAL & FINISHES

Upholstery:

Version 1 – Client's own fabric.

Version 2 – Alma de Luce Soft Velvet fabric- *CLASS I*.

Version 3 – Alma de Luce Cotton Velvet- *CLASS II*.

Frieze:

Metal effect brushed with matt for gloss finish.

Footer:

Walnut or darkened Oak solid wood with matt or gloss finish.

Cushions:

Not included.

COM REQUIREMENTS FABRICS:

Body: 30m | 1024"

Based on plain fabric, standard with 1.40mt | 55"

LEATHER:

Body: 54m² | 580 square feet

SPECIAL REQUEST

Personalization and bespoke by price adequacy.

Note: Variations in color and grain and natural patina are inherent to natural materials such as stone, wood or metal and are considered part of their natural beauty.

DIMENSIONS

W: 430cm | 169"

D: 119cm | 46.9"

H: 68cm | 26.8"

SH: 36cm | 14.2"

W: 141.6kg | 312.2lb

PACKAGING

Poplar plywood (set) or Cardboard Box

Box1- 2.8x1.6x0.83= 3.7m³ | 130.7ft³

W: 242.72Kg | 535.1lb

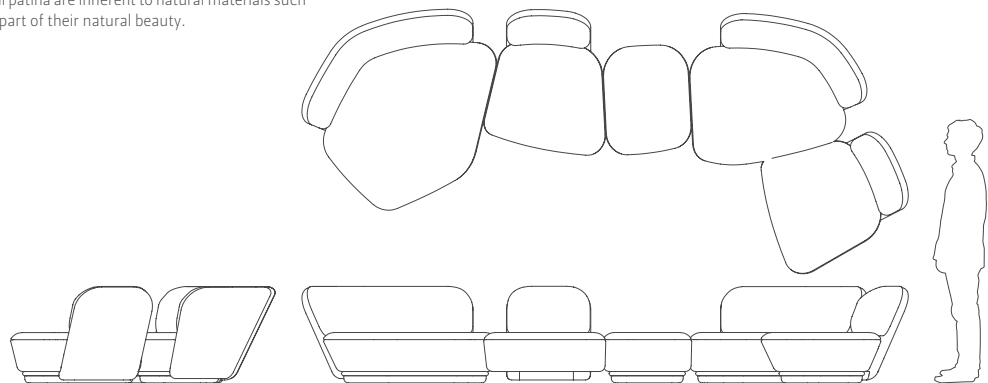
Box2- 2x1.4x0.83= 2.3m³ | 81.22ft³

W: 87.4Kg | 332.1lb

OBSERVATIONS FOR MOUNTING:

Need to be assembled.

See the indications on the instruction manual.



FABRICS - *CLASS IV- Special fabric Kvadrat / Special fabric Gabriel *CLASS III - Super Suede Deus / Leather *CLASS II - Cotton Velvet / Linear / Coco * CLASS I - Cotton Satin / Soft Velvet / Soft Suede *
*METAL EFFECT - Stainless Steel or aluminum coated with Metal effect (Brass, Copper, Rose gold, Nickel, or Sandy); *COLOR METAL - Metal or Wood coated with Soft Gold or Metal Colors.

Each piece of ALMA DE LUCE® is made by hand, in Portugal. Although every effort is made to maintain uniformity, slight variations may occur, as well as the variation size.

Av. Dr. Mário Soares, n° 1727, 4770-260 Joane, Vila Nova de Famalicão, Portugal

info@almadeluca.com | 00351 252 996 374

WWW.ALMADELUCE.COM